

TEAC



SERVICE MANUAL

DV-7D

DVD Player



CONTENTS

1 SPECIFICATIONS	2
2 EXPLODED VIEWS AND PARTS LIST	3
3 PC BOARDS AND PARTS LIST	5
4 INCLUDED ACCESSORIES	7

NOTES

- PC boards shown are viewed from parts side.
- The parts with no reference number or no parts number in the exploded views are not supplied.
- As regards the resistors and capacitors, refer to the circuit diagrams contained in this manual.
- \triangle Parts marked with this sign are safety critical components. They must be replaced with identical components - refer to the appropriate parts list and ensure exact replacement.
- Parts of [] mark can be used only with the version designated.
[E]:EUROPE [UK]:U.K. [HK]:HONG KONG

1 SPECIFICATIONS

DVD Player

Signal system	PAL/NTSC
Laser	Semiconductor laser, wavelength 650/790 nm
Frequency range	DVD: 4 Hz to 22 kHz (fs:48kHz) DVD: 4 Hz to 44 kHz (fs:96kHz) CD: 4 Hz to 20 kHz
Signal-to-noise rating (DVD)	105 dB
Audio dynamic range (DVD)	90 dB
Harmonic distortion (DVD)	0.006 %
Wow and flutter	Below measurable level (less than $\pm 0.001\%$ (W.PEAK))
Operating conditions	Temperature: 5°C to 35°C Operation status: Horizontal

Outputs

Video output	RCA jack x 1 1.0 Vp-p, 75 Ω , negative sync.
S-video output	S-video jack x 1 (Y) 1.0 Vp-p, 75 Ω , negative sync. (C) 0.3 Vp-p, 75 Ω
Component output	RCA jack x 1 (Y) 1.0 Vp-p, 75 Ω , negative sync. (P _B , P _R) 0.7 Vp-p, 75 Ω
AV connector output	SCART x 1
Audio output (digital audio)	RCA jack x 1, 1.15 Vp-p, 75 Ω OPTICAL digital jack x 1
Audio output (analog audio)	RCA jack x 1 (2CH) 2.0 Vrms (1 kHz, 0 dB) RCA jack x 1 (6CH)

General

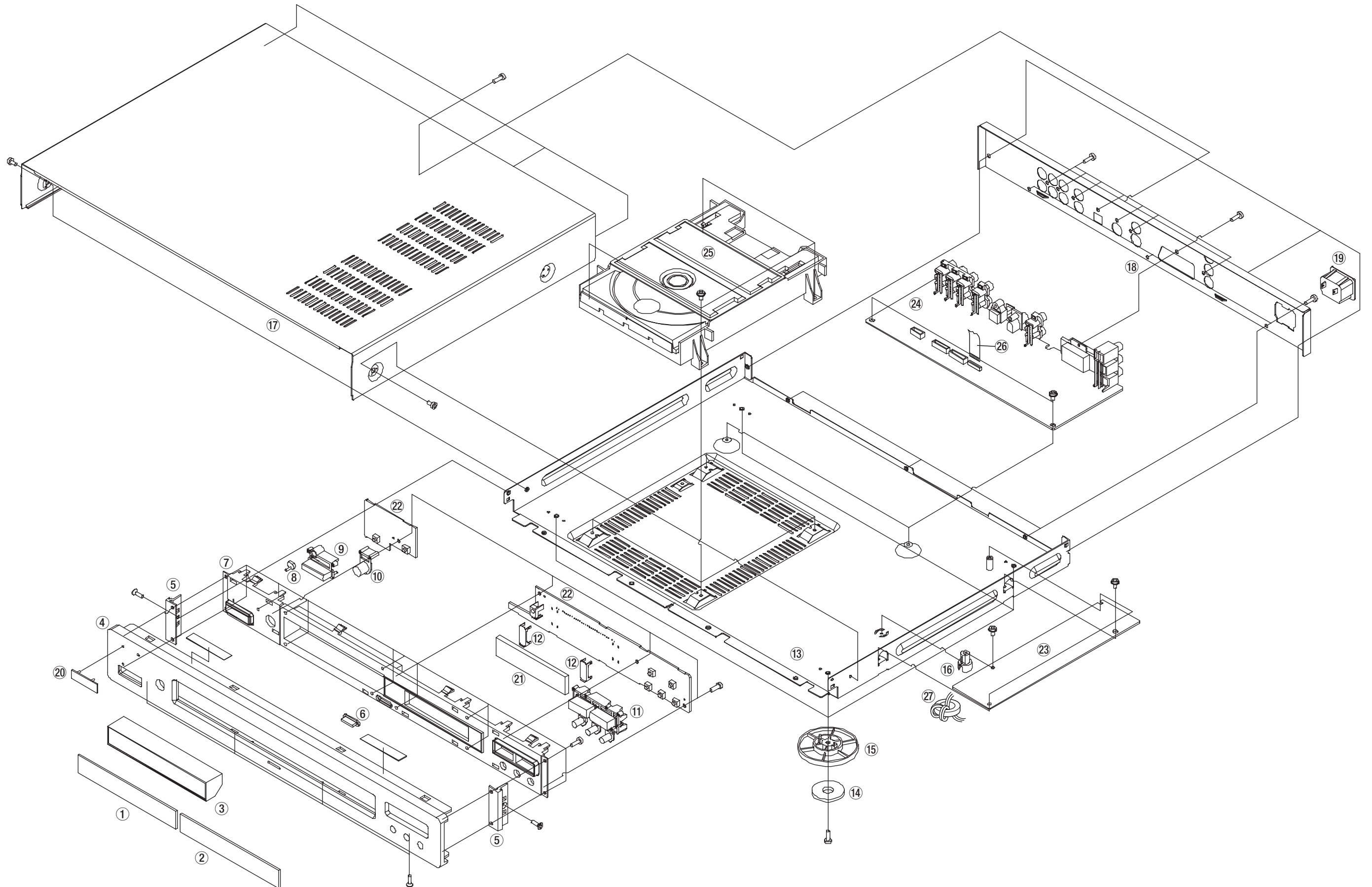
Power supply	AC 230 V, 50 Hz
Power consumption	18 W
Weight	3.3 kg
External dimensions (W x H x D)	435 x 62 x 327.5 mm

Accessories

Audio cable (RCA)	x 1
Video cable (RCA)	x 1
Optical cable	x 1
Owner's manual	x 1
Remote control	x 1
Battery (AAA, R03, UM-4)	x 2
AC cord	x 1

- Design and specifications are subject to change without notice.
- Weight and dimensions are approximate.

2 EXPLODED VIEWS AND PARTS LIST

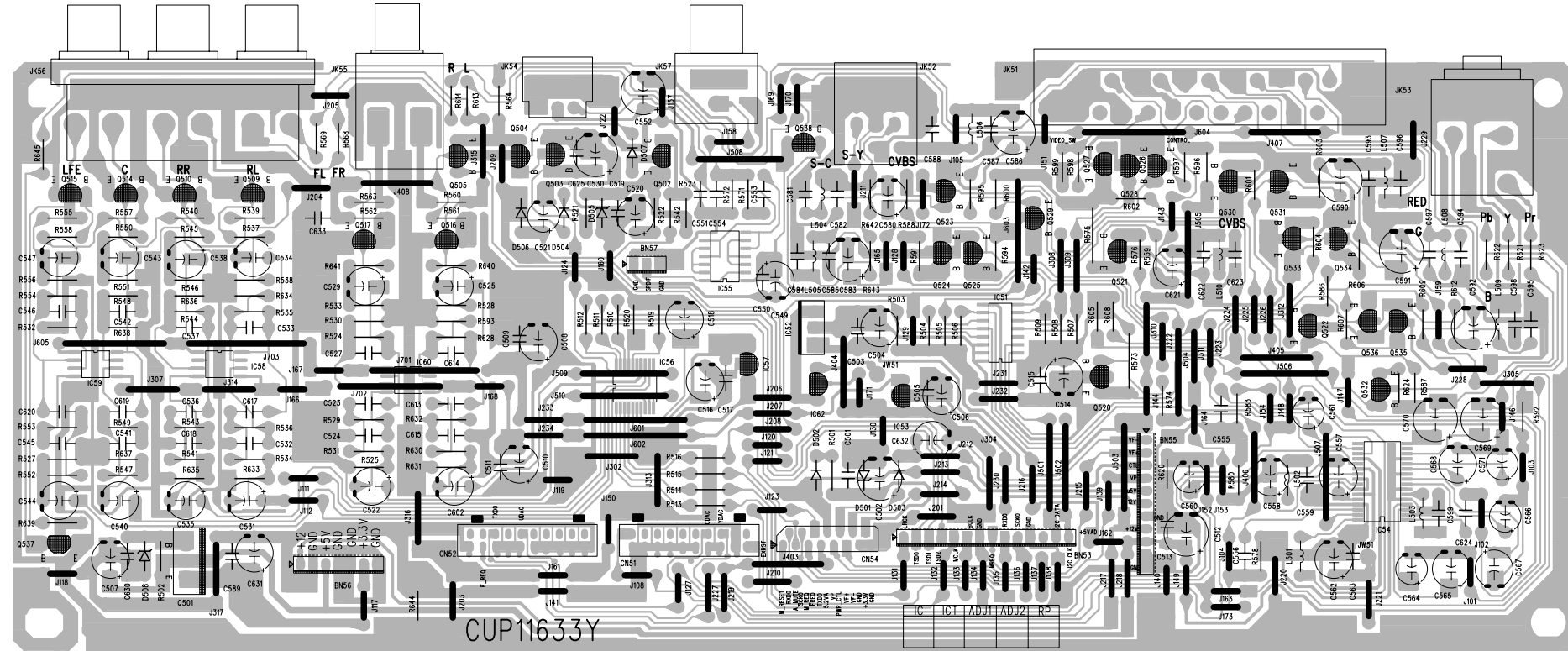


EXPLODED VIEW LIST

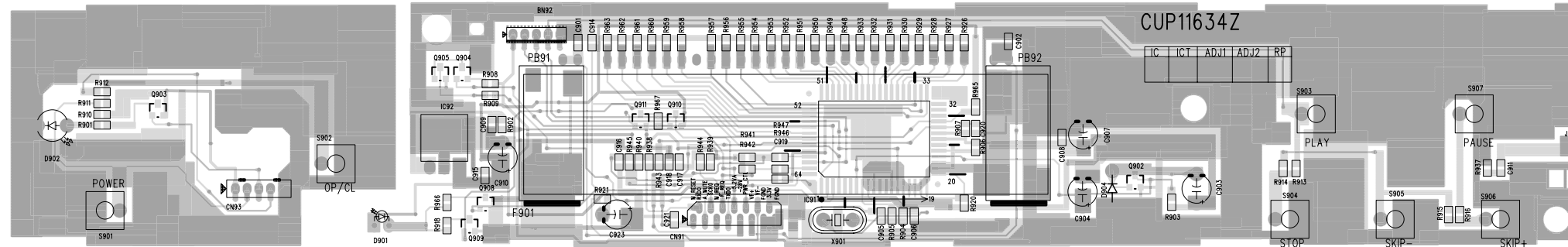
REF. NO.	PARTS NO.	DESCRIPTION	REMARKS
1	CGU1A315X	WINDOW, DOOR	
2	CGU1A315Y	WINDOW, FIP	
3	CGR1A304K122	BASE, DOOR	
4	CKM1A137XC35	PANEL, FRONT (AL)	
5	CKM1A138C35	BAR, SIDE	
6	CGL1A218	INDICATER, POWER	
7	CGW1A365M7G5	PANEL, SUB	
8	CGL1A219	INDICATER, STAND-BY	
9	CBT1A900M7G5	KNOB, POWER	
10	CBT1A902M7ZG5	KNOB, OPEN	
11	CBT1A901M7ZG5	KNOB, PLAY	
12	CMD1A496	BRACKET, FIP	
13	CUA1A235	CHASSIS, BOTTOM	
14	KHG1A039Z	CUSHION, FOOT	
15	CKL1A081H30	FOOT	
16	CHE1A030	HOLDER, PCB	
17	CKC1A146S35	CABINET, TOP	
18	CKF1A267Y	PANEL, REAR	
19	△ HJJ8A002Z	RECEPTACLE	
20	KGB1A047Z	BADGE, TEAC	
21	HFLHNV06SC14T	F. I. P, HNV-06SC14T	
22	COP11634B	FRONT PCB ASSY	
23	COP11609CSMPS	SMPS PCB ASSY	
24	COP11633B	AV PCB ASSY	
25	HJDRL-S874T	MECHANISM, RL-S874T	
26	CWC3B2A15A340B5	CARD CABLE (SHIELD)	
27	CLZ9W003Z	FERRITE, RING	

3 PC BOARDS AND PARTS LIST

AV PCB



FRONT PCB



AV PCB ASSY

REF. NO.	PARTS NO.	DESCRIPTION
	COP11633B	AV PCB ASSY
	CUP11633Y	AV PCB
CN51	CJP20GA147ZW	WAFER, 20 DUAL
CN52	CJP20GA147ZW	WAFER, 20 DUAL
CN54	KJP15GA117ZG	CARD CABLE, WAFER, 15P
D501	HVDMTZJ3. 3BT	DIODE, ZENER, MTZJ3. 3BT
D502	HVD1SS133MT	DIODE, 1SS133T-77
D503	HVD1SS133MT	DIODE, 1SS133T-77
D504	HVD1SS133MT	DIODE, 1SS133T-77
D505	HVDMTZJ4. 7BT	DIODE, ZENER, MTZJ4. 7BT
D506	HVD1SS133MT	DIODE, 1SS133T-77
D507	HVD1SS133MT	DIODE, 1SS133T-77
D508	HVDMTZJ4. 3CT	DIODE, ZENER, MTZJ4. 3CT
IC51	HV1BU2098F	IC, BU2098F
IC52	△ HV1KA7808A	IC, KA7808-ABTU
IC53	△ HV1KA79L08AZT	IC, KA79L08AZT
IC54	BV1BH7862FS	IC, BH7862FS
IC55	HV174VHC04MX	IC, 74VHC04M
IC56	HV1PCM1606E	IC, PCM1606E
IC57	△ HV1KA78L05AZT	IC, KA78L05AZT
IC58	HVINJM2068MDTE1	IC, NJM2068MD-TE1
IC59	HVINJM2068MDTE1	IC, NJM2068MD-TE1
IC60	HVINJM2068MDTE1	IC, NJM2068MD-TE1
JK51	KJP21GA118ZP	SCART CONNECTOR
JK52	CJJ9N003Z	JACK (S-VIDEO+VHS)
JK53	CJJ4S014Z	JACK, IN/OUT (R. G. B)
JK54	HJSTOTX179L	MODULE, OPTICAL, TOTX179L
JK55	CJJ4N067Z	JACK, 2P
JK56	CJJ4R041Z	JACK, BOARD 6P
JK57	CJJ4M044Z	JACK, BOARD
L501	HL002CR68KT	COIL, 0. 68UH K
L502	HL002CR39KT	COIL, 0. 39UH K
L503	HL002CR68KT	COIL, 0. 68UH K
L506	HL002C1R8KT	COIL, 1. 8UH K
L507	HL002CR68KT	COIL, 0. 68UH K
L508	HL002CR68KT	COIL, 0. 68UH K
L509	HL002CR68KT	COIL, 0. 68UH K
L510	HL002C1R8KT	COIL, 1. 8UH K
Q501	△ KVTKSD288Y	TR, KSD288Y
Q502	HVTKSA916YT	TR, KSA916YT
Q503	HVTKRC107MT	TR, KRC107M
Q504	HVTKRA107MT	TR, KRA107M
Q505	HVTKRA107MT	TR, KRA107M
Q509	HVTKTD1302T	TR, KTD1302
Q510	HVTKTD1302T	TR, KTD1302
Q514	HVTKTD1302T	TR, KTD1302
Q515	HVTKTD1302T	TR, KTD1302
Q516	HVTKTD1302T	TR, KTD1302
Q517	HVTKTD1302T	TR, KTD1302
Q520	HVTKTA1266YT	TR, TKTA1266YT
Q521	HVTKTA1266YT	TR, TKTA1266YT
Q526	HVTKRC107MT	TR, KRC107M
Q527	HVTKTA1266YT	TR, TKTA1266YT
Q528	HVTKRC107MT	TR, KRC107M
Q530	HVTKTA1266YT	TR, TKTA1266YT

AV PCB ASSY

REF. NO.	PARTS NO.	DESCRIPTION
Q531	HVTKTD1302T	TR, KTD1302
Q532	HVTKRA107MT	TR, KRA107M
Q533	HVTKTA1266YT	TR, TKTA1266YT
Q534	HVTKTD1302T	TR, KTD1302
Q535	HVTKTA1266YT	TR, TKTA1266YT
Q536	HVTKTD1302T	TR, KTD1302
Q537	HVTKTD1302T	TR, KTD1302
Q538	HVTKRA107MT	TR, KRA107M

FRONT PCB ASSY

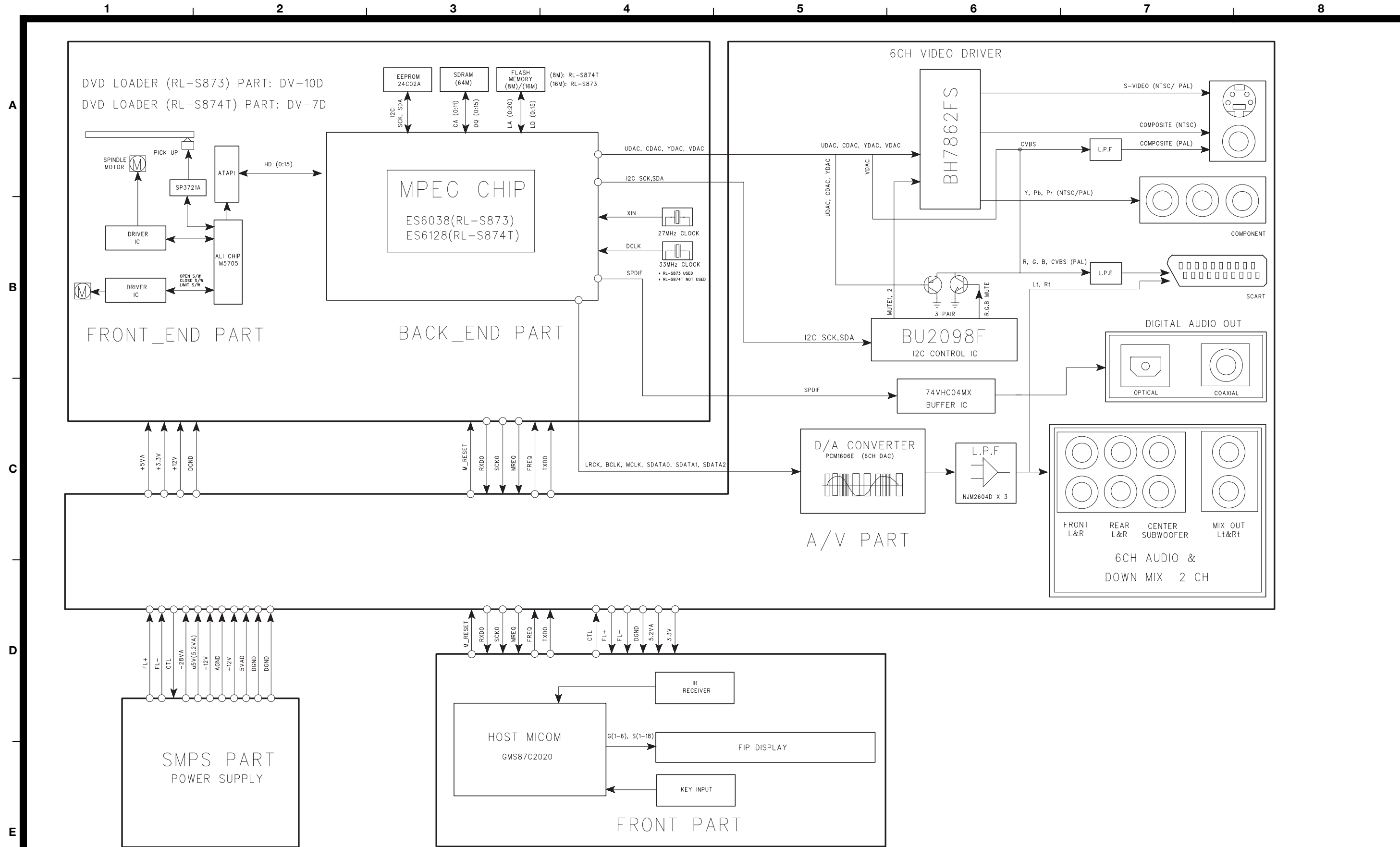
REF. NO.	PARTS NO.	DESCRIPTION
	COP11634B	FRONT PCB ASSY
	CUP11634Z	FRONT PCB
CN91	KJP15GB113ZG	CARD CABLE, WAFER, 15P
CN93	KJP05GA19ZM	WAFER, MOLEX53014-0510
D901	CVD52CSBBCEAB2	LED, BLUE
D902	HVD342YCTB7T089	LED, YELLOW, SLR342YCTB7
D904	HVD1SS133MT	DIODE, 1SS133T-77
ET91	CMC1A111	PLATE, EARTH
F901	HFLHNV06SC14T	F. I. P, HNV-06SC14T
IC91	HVIANAM1375DVD	IC, MICOM
IC92	HRVKSM603TH2	REMOCON SENSER, KSM-603TH2
PB91	CMD1A496	BRACKET, FIP
PB92	CMD1A496	BRACKET, FIP
Q902	HVTKRC102S	TR, CHIP, KRC102S
Q903	HVTKRA102S	TR, CHIP, KRA102S
Q904	HVTKRA102S	TR, CHIP, KRA102S
Q905	HVTKRC102S	TR, CHIP, KRC102S
Q908	HVTKRC102S	TR, CHIP, KRC102S
Q908	HVTKRC107MT	TR, KRC107M
Q909	HVTKRC102S	TR, CHIP, KRC102S
Q910	HVTKRA102S	TR, CHIP, KRA102S
Q911	HVTKRC102S	TR, CHIP, KRC102S
S901	CST1A012ZT	SW, TACT
S902	CST1A012ZT	SW, TACT
S903	CST1A012ZT	SW, TACT
S904	CST1A012ZT	SW, TACT
S905	CST1A012ZT	SW, TACT
S906	CST1A012ZT	SW, TACT
S907	CST1A012ZT	SW, TACT
X901	HOX04000E150C	CRYSTAL, 4MHZ

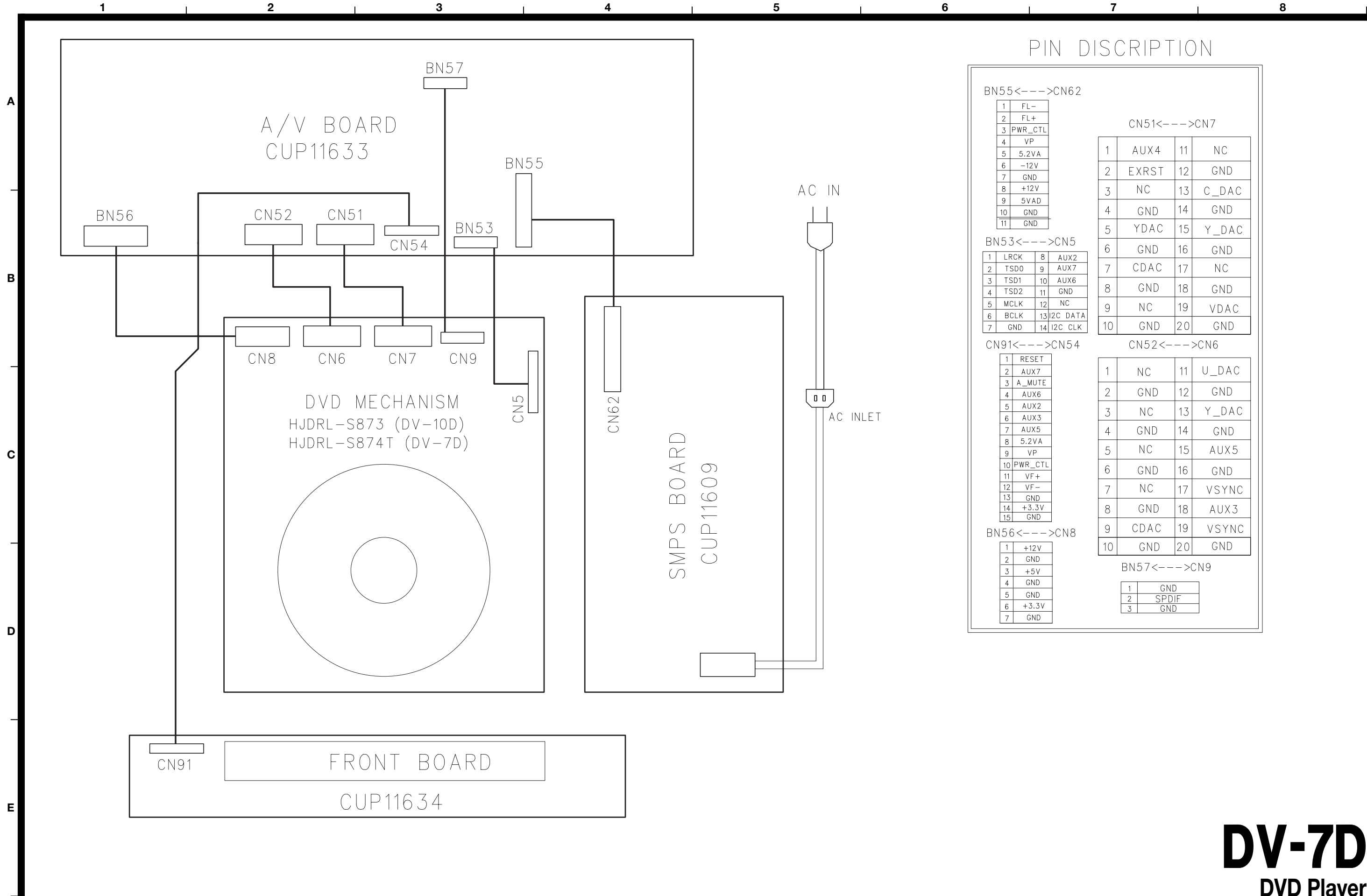
4 INCLUDED ACCESSORIES

INCLUDED ACCESSORIES

REF. NO.	PARTS NO.	DESCRIPTION	REMARKS
	CQX1A840Z	OWNER'S MANUAL, E/F/S	9A09898400
	CQX1A849Z	OWNER'S MANUAL, G/I/N	9A09898500
	CARTDV10D	REMOCON ASSY	
	HABAAAM1.5V	BATTERY	
	△ CJA2B054Z	CORD, POWER [E]	
	△ HJA2E069Z	CORD, POWER [UK, HK]	
	CJS4M023Z	CORD, PIN(1P), YELLOW	
	CJS4N014Z	CORD, PIN	
	CJS8H003Z	OPTICAL CABLE	

TEAC BLOCK DIAGRAM DV-7D





PIN DISCRPTION

BN55<--->CN62			
1	FL-		
2	FL+		
3	PWR_CTL		
4	VP		
5	5.2VA		
6	-12V		
7	GND		
8	+12V		
9	5VAD		
10	GND		
11	GND		

CN51<--->CN7			
1	AUX4	11	NC
2	EXRST	12	GND
3	NC	13	C_DAC
4	GND	14	GND
5	YDAC	15	Y_DAC
6	GND	16	GND
7	CDAC	17	NC
8	GND	18	GND
9	NC	19	VDAC
10	GND	20	GND

BN53<--->CN5			
1	LRCK	8	AUX2
2	TSD0	9	AUX7
3	TSD1	10	AUX6
4	TSD2	11	GND
5	MCLK	12	NC
6	BCLK	13	I2C DATA
7	GND	14	I2C CLK

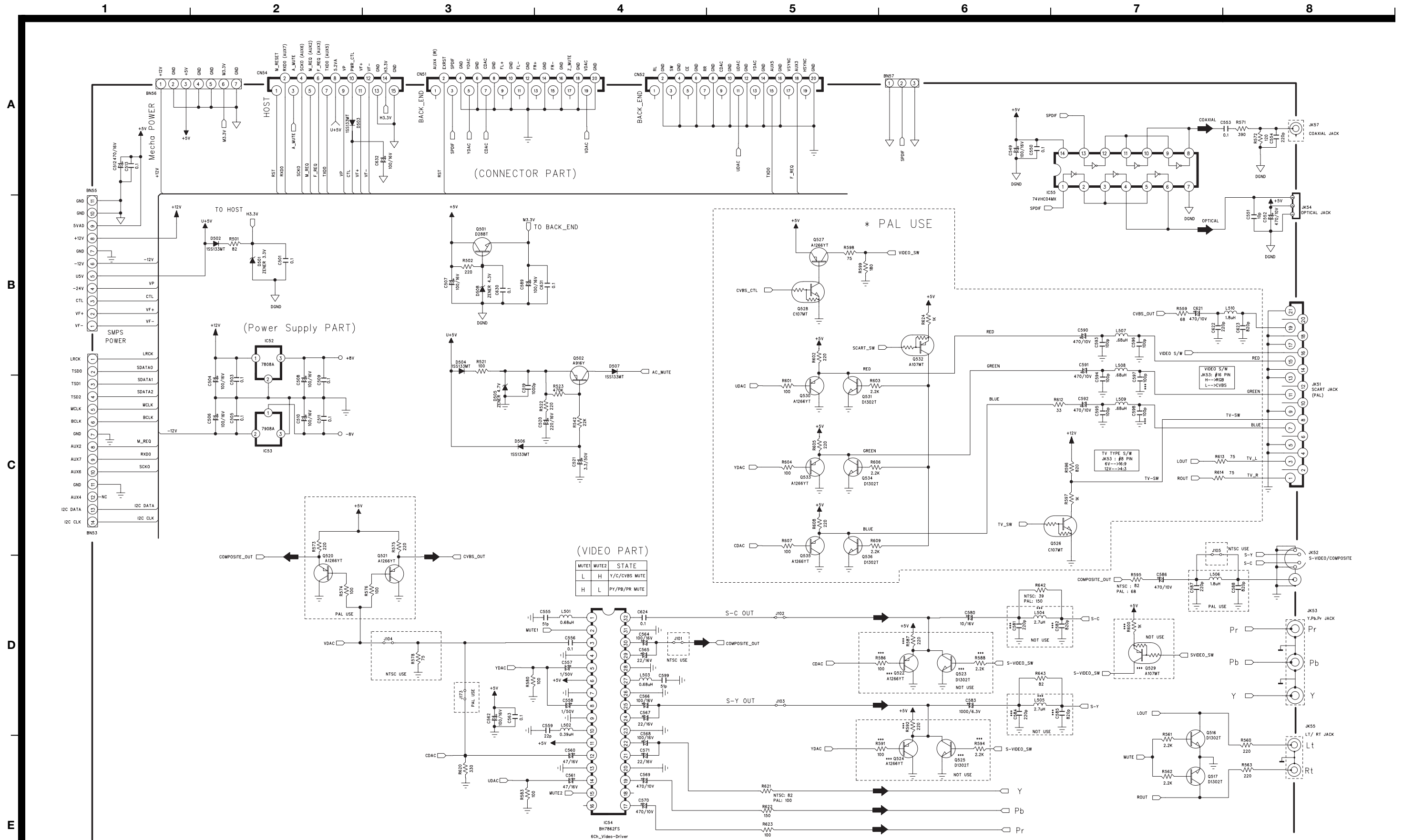
CN91<--->CN54			
1	RESET		
2	AUX7		
3	A_MUTE		
4	AUX6		
5	AUX2		
6	AUX3		
7	AUX5		
8	5.2VA		
9	VP		
10	PWR_CTL		
11	VF+		
12	VF-		
13	GND		
14	+3.3V		
15	GND		

CN52<--->CN6			
1	NC	11	U_DAC
2	GND	12	GND
3	NC	13	Y_DAC
4	GND	14	GND
5	NC	15	AUX5
6	GND	16	GND
7	NC	17	VSYNC
8	GND	18	AUX3
9	CDAC	19	VSYNC
10	GND	20	GND

BN56<--->CN8			
1	+12V		
2	GND		
3	+5V		
4	GND		
5	GND		
6	+3.3V		
7	GND		

BN57<--->CN9			
1	GND		
2	SPDIF		
3	GND		

TEAC SCHEMATIC DIAGRAM DV-7D AV PCB (1/2)



A
B
C
D
E

NOTES:

1. Resistor values are in ohms (k=kilo-ohms, M=megohms).
2. Capacitor values are in microfarads (p=picofarads).
3. Parts marked with this sign are safety critical components. They must always be replaced with identical components-refer to the appropriate parts list and ensure exact replacement.

TEAC SCHEMATIC DIAGRAM DV-7D AV PCB (2/2)

1 2 3 4 5 6 7 8

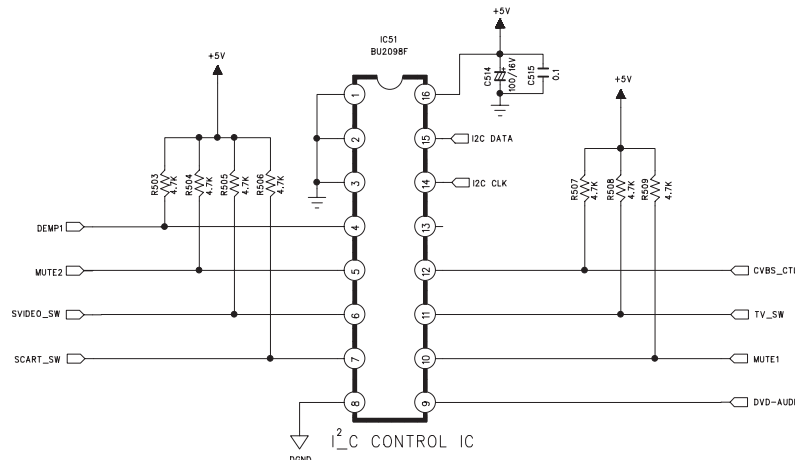
A

B

C

D

E



I2C CONTROL MODE

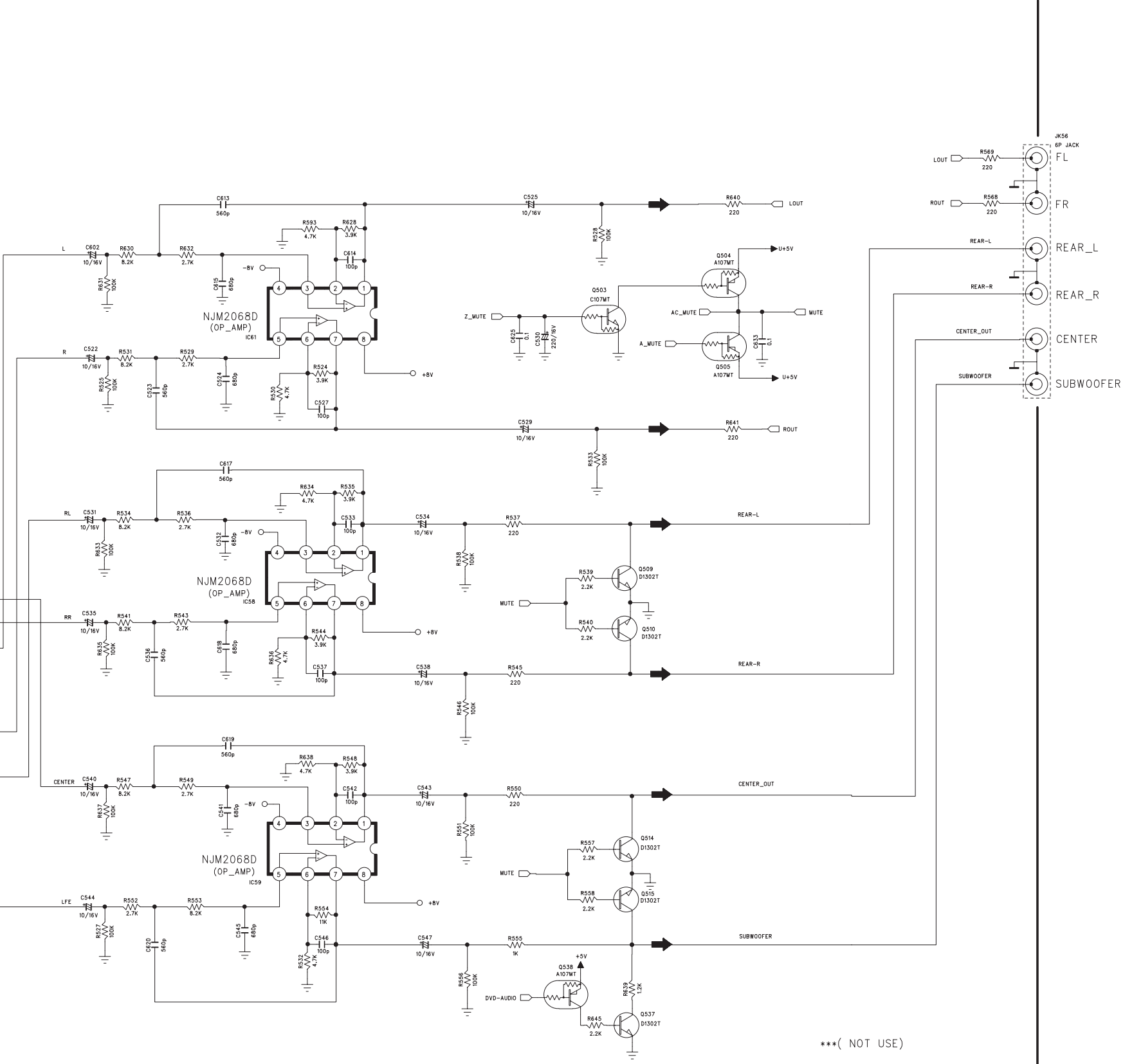
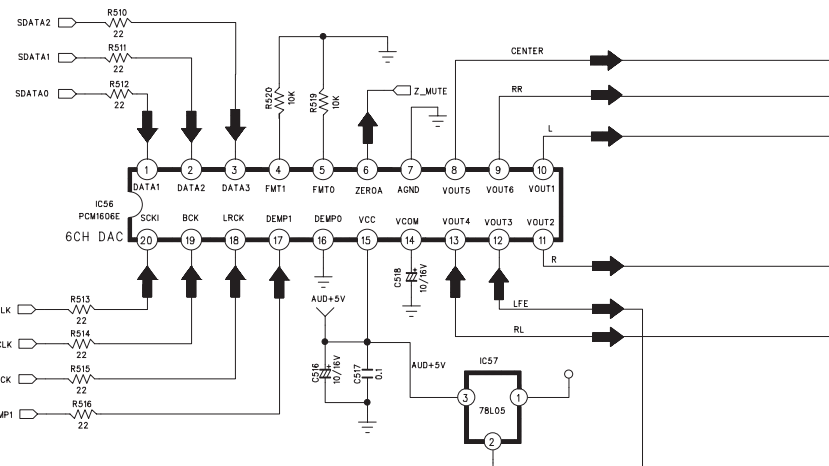
VALUE	DEM11	DVD-AUDIO	TV_SW	CVBS_CTL
L	OFF	DVD AUDIO	4:3	CVBS
H	44.1kHz	DVD-AUDIO EXCEPT	16:9	RGB

• DV-7D (DVD AUDIO DISABLE)

PAL MODE

VIDEO MODE	MUTE1	MUTE2	SVIDEO_SW	SCART_SW
S-VIDEO	H	L	L	L
RGB	L	L	L	H
COMPONENT	L	H	L	L

DAC OUT	PAL SVIDEO/RGB/COMPONENT	NTSC
YDAC	Y/G/Y	Y
CDAC	C/B/Pb	Pb
UDAC	NA/R/Pr	Pr
VDAC	CVBS	CHROMA



*** (NOT USE)

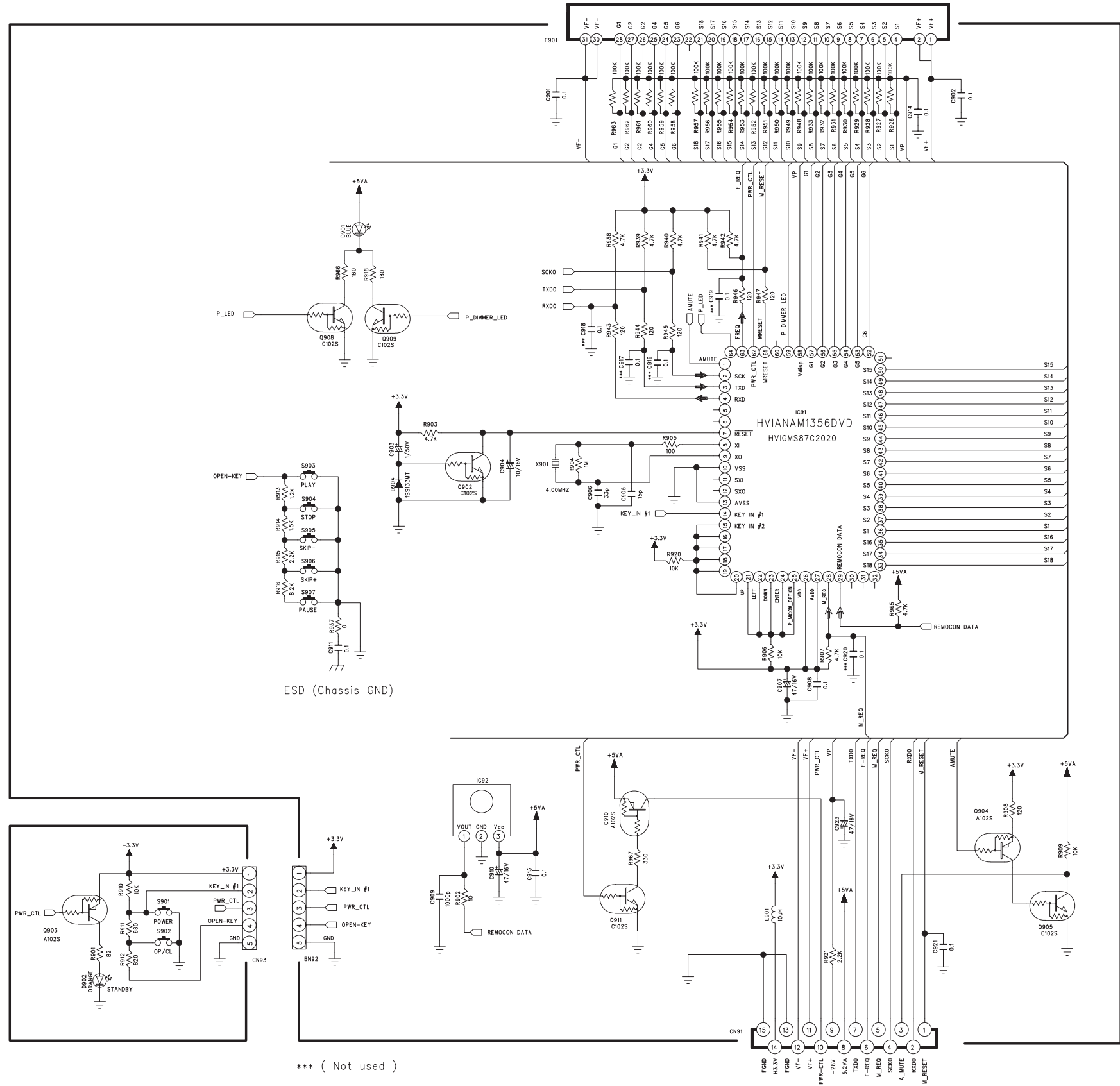
NOTES:

1. Resistor values are in ohms (k=kilo-ohms, M=megohms).
2. Capacitor values are in microfarads (p=picofarads).
3. Parts marked with this sign are safety critical components. They must always be replaced with identical components-refer to the appropriate parts list and ensure exact replacement.

TEAC SCHEMATIC DIAGRAM DV-7D FRONT PCB

1 2 3 4 5 6 7 8

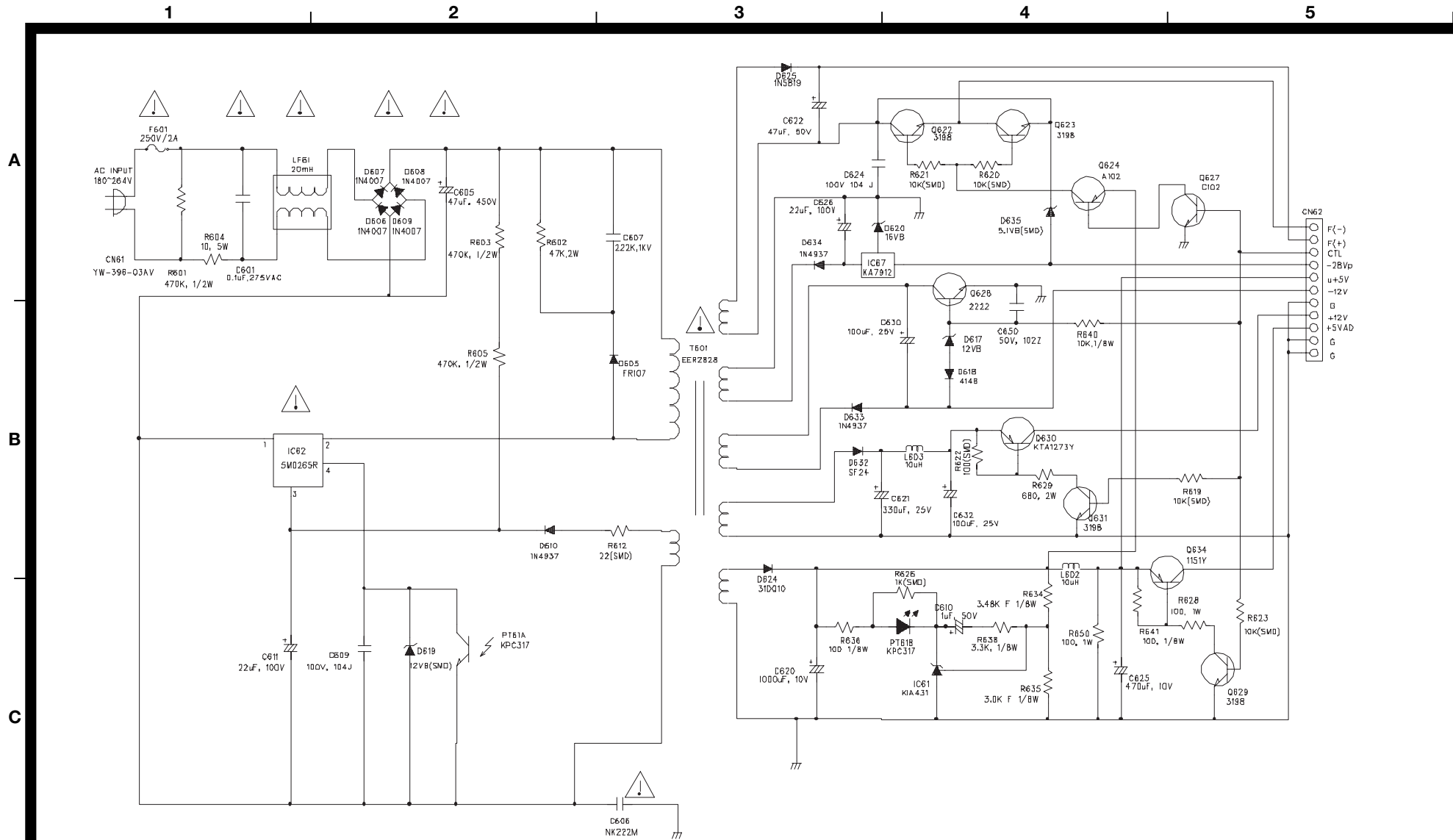
A
B
C
D
E



*** (Not used)

- NOTES:**
1. Resistor values are in ohms (k=kilo-ohms, M=megohms).
 2. Capacitor values are in microfarads (p=picofarads).
 3. Parts marked with this sign are safety critical components. They must always be replaced with identical components-refer to the appropriate parts list and ensure exact replacement.

TEAC SCHEMATIC DIAGRAM DV-7D SMPS PCB



NOTES:
 ⚠️ Parts marked with this sign are safety critical components. They must always be replaced with identical components-refer to the appropriate parts list and ensure exact replacement.